

# 22 Series

## LONG RING BELL TIMERS

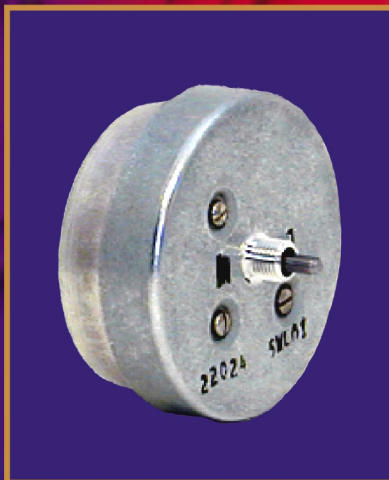
The MARKTIME® 22 Series Long Ring Bell Timer is a simple, rugged, accurate timing device engineered for years of dependable, trouble-free use. The long ring alarm signal feature is especially desirable on commercial equipment and appliances which will be used where noise levels are high, ie: restaurant kitchens, lunch counters, bakeries, etc. The operation of the timer is extremely simple since it merely requires turning of the indicator knob to the desired time period.

### FEATURES

- Proven, heavy-duty mechanical construction.
- Simple “user friendly” operation via rotary knob.
- Compact, space saving design.
- Timing ranges available from seconds to 2 hours, all with  $\pm 10\%$  accuracy.
- Standard front “center stud” and two screw mountings available.
- Standard shaft sizes: .182” diameter.
- Corrosion resistant model available upon special request.
- 360° wind.

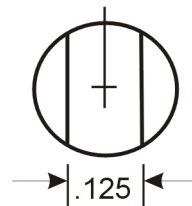


Two Screw Mounting



Center Stud Mounting

### AVAILABLE SHAFTS

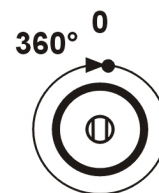


.182” Dia.  
with double  
“flat” on the  
vertical axis

- The above is available with 360° wind, clockwise from zero.
- Special shaft lengths, diameters and “flat” configurations are available.
- .182” diameter with 360° wind supplied as standard unless otherwise specified. **Consult factory for details.**

### WINDING ANGLE

360° wind  
clockwise  
from zero.



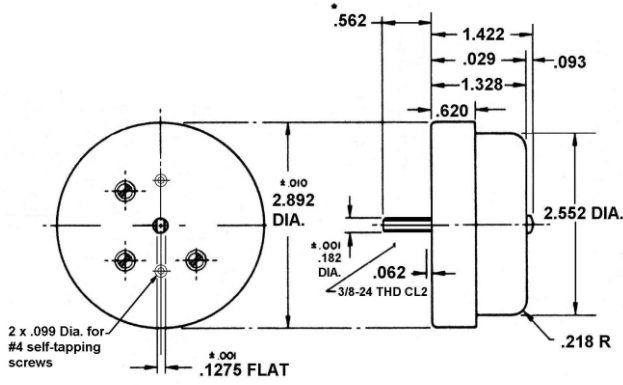
M.H. Rhodes

105 Nutmeg Road South, South Windsor, CT 06074  
Tel: (860) 291-8402 Fax: (860) 610-0897 www.mhrhodes.com

MARKTIME

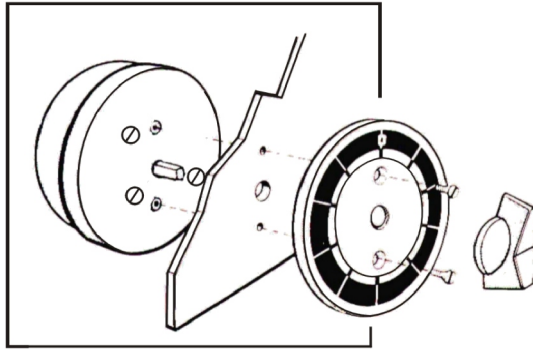
22  
Series

**SPECIFICATIONS**



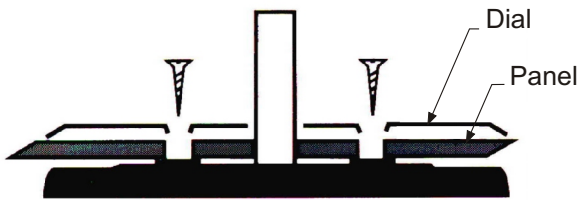
\* OTHER LENGTHS AVAILABLE

Two Screw shown in vertical position with .182" shaft.

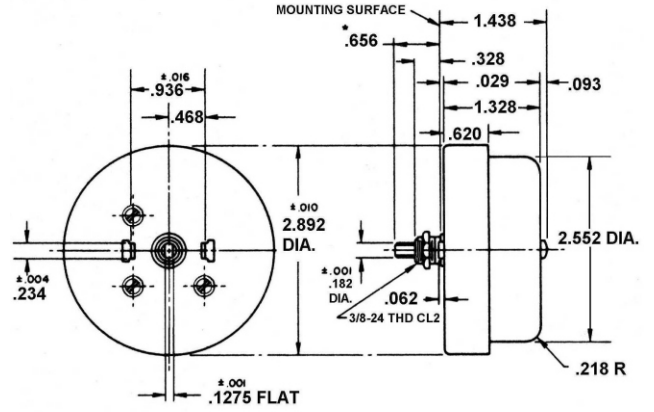
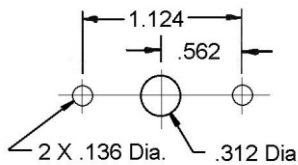


Two Screw with .182" shaft.

- For use with two #6 self-threading flat head screws  $\frac{9}{32}$ " max. length for use with a  $\frac{1}{16}$ " thick panel.
- Screws available as an option.

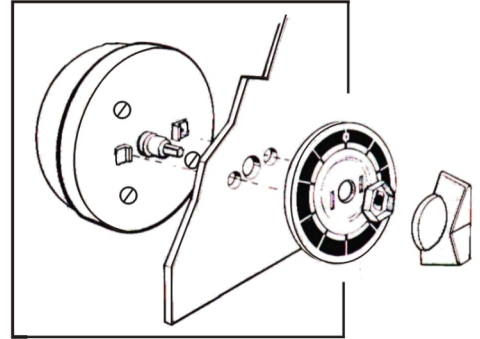


**For 2-Screw Mount**



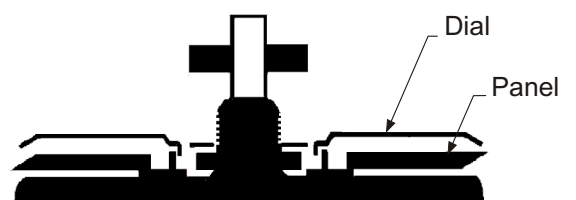
\* OTHER LENGTHS AVAILABLE

Center Stud shown in vertical position with .182" shaft.



Center Stud with .182" shaft

- Self-threading nut Z243A.
- Nut assembles face down.



**FOR CENTER STUD**

